

SIMAG

SNM 700

R 404 A VERSION

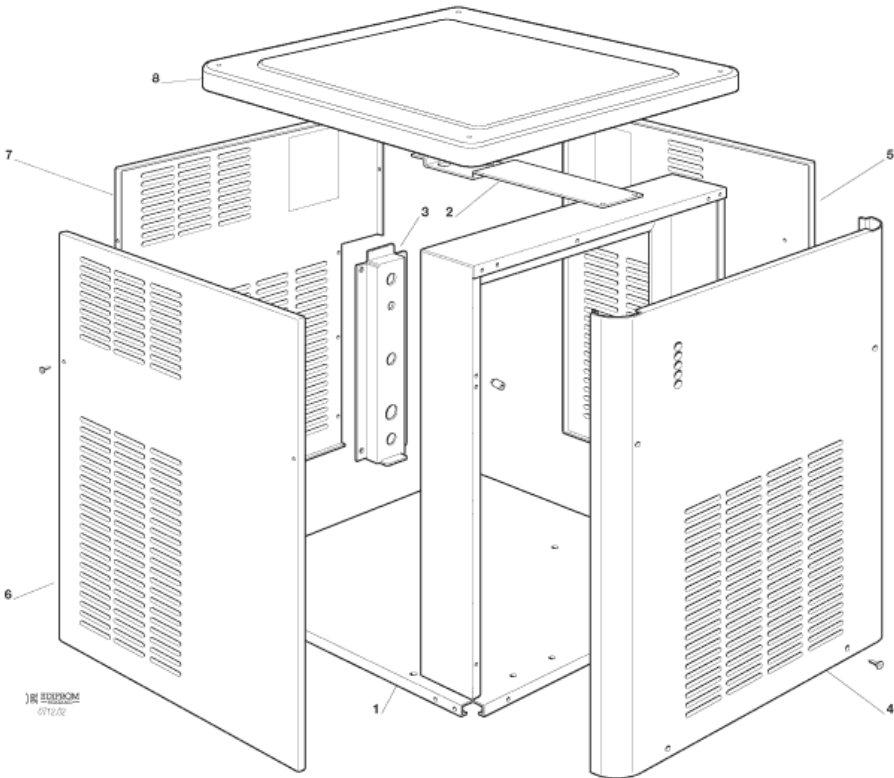
SPARE PARTS LIST

Spare Parts Catalogue

SNM 500

- 1 - UNIT PANELS
- 2 - REFRIGERANT SYSTEM AIR COOLED
- 3 - REFRIGERANT SYSTEM WATER COOLED
- 4 - WATER SYSTEM AND INSULATIONS
- 5 - FREEZER AND GEAR REDUCER ASSY
- 6 - P.C. BOARD AND SENSORS ASSY

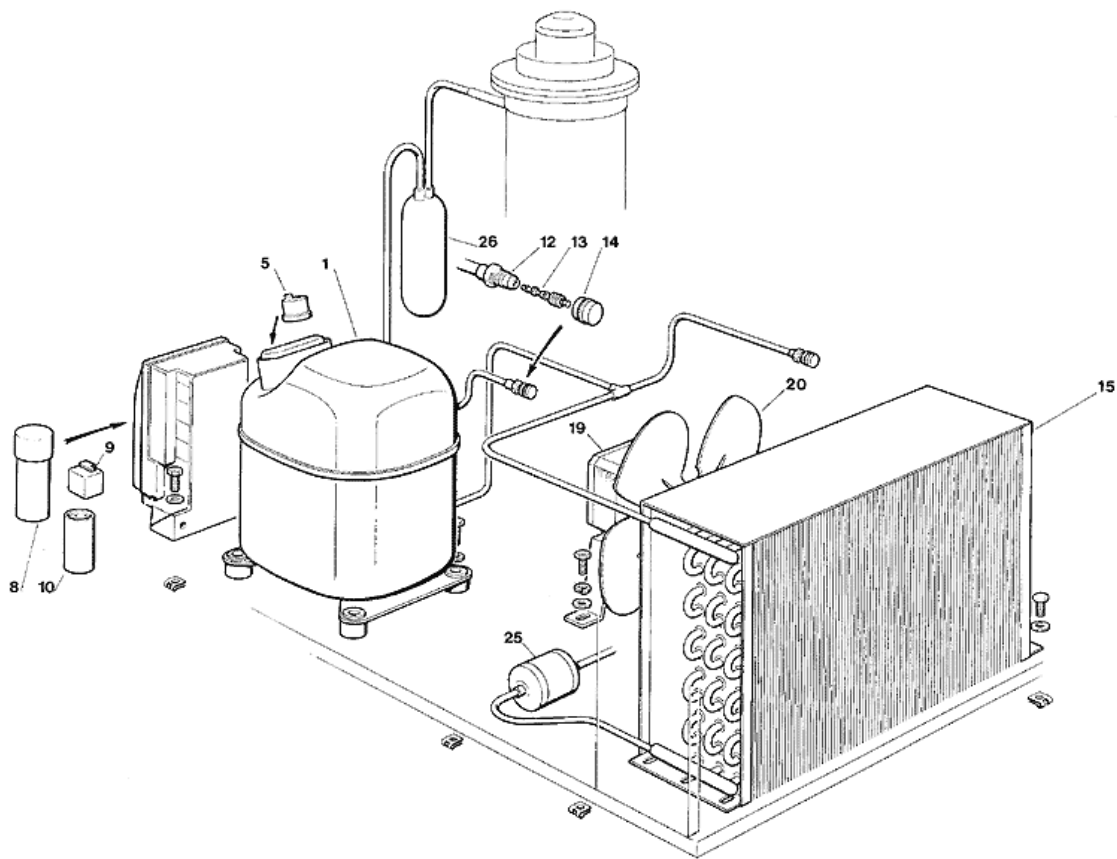
1 - UNIT PANELS



1 - UNIT PANELS

POSITION	CODE	DESCRIPTION
0001	781470 00	UNIT BASE
0001	781472 01	FRONT BRACKET
0002	781463 00	BRACKET
0003	702315 00	REAR BRACKET
0004	650624 04	LABEL
0004	650976 00	SIMAG LOGO
0004	650976 34	SNM 500 LABEL
0004	722284 00	FRONT PANEL
0005	722271 02	RIGHT SIDE PANEL
0006	722272 02	LEFT SIDE PANEL
0007	722273 02	REAR PANEL
0008	660873 00	TOP PANEL

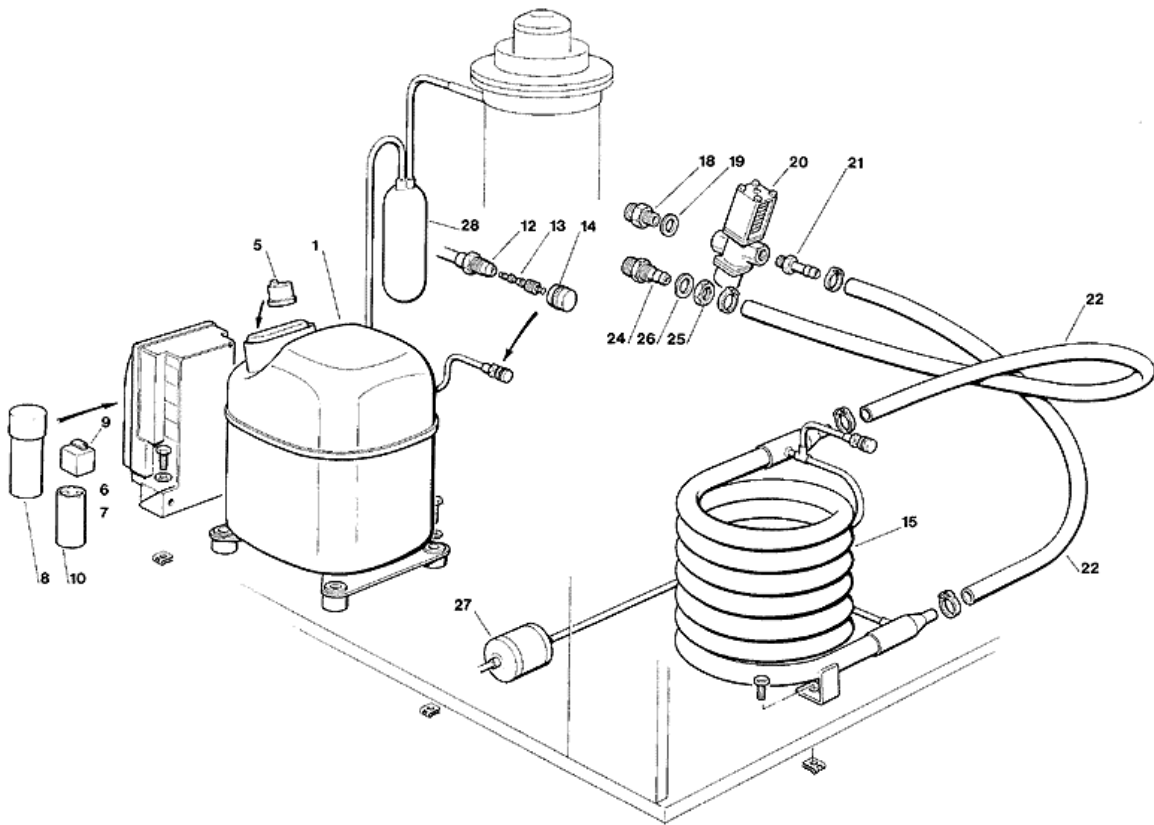
2 - REFRIGERANT SYSTEM AIR COOLED



2 - REFRIGERANT SYSTEM AIR COOLED

POSITION	CODE	DESCRIPTION
0001	670099 05	COMPRESSOR - 230/50/1
0001	670099 13	COMPRESSOR 230/60/1
0005	620058 57	PROTECTOR - 230/50/1
0005	620058 85	PROTECTOR - 230/60/1
0008	620167 54	CAPACITOR - 35 MFD/450V
0009	620057 47	RELAY - 230/50
0009	620057 54	RELAY - 230/60
0010	620167 00	START CAPACITOR 88-108MFD/330V
0012	650109 00	VALVE BODY
0013	670012 00	VALVE CORE
0014	650106 00	CAP
0015	620438 00	CONDENSER
0019	620419 07	FAN MOTOR - 230/50-60
0019	620419 66	FAN MOTOR BRACKET
0020	620419 36	FAN BLADE
0025	670006 01	FILTER
0026	784450 03R	SUCTION LINE/ACCUMULATOR

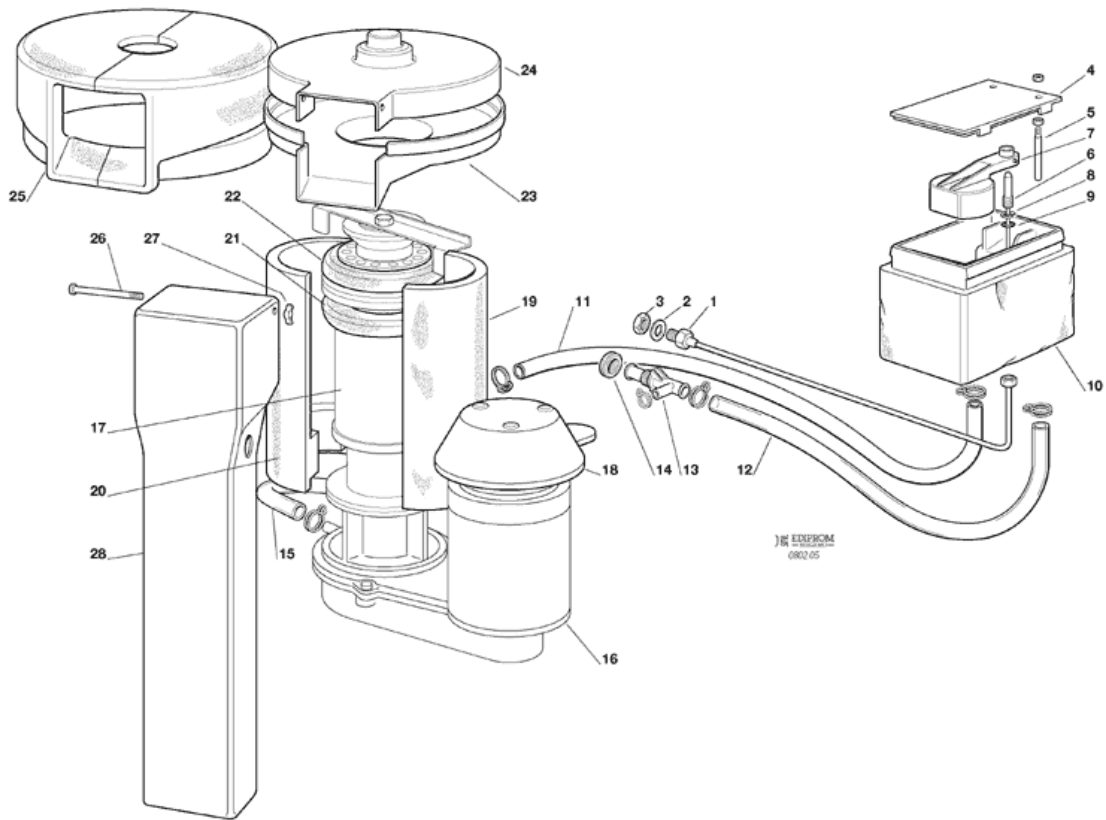
3 - REFRIGERANT SYSTEM WATER COOLED



3 - REFRIGERANT SYSTEM WATER COOLED

POSITION	CODE	DESCRIPTION
0001	670099 05	COMPRESSOR - 230/50/1
0001	670099 13	COMPRESSOR 230/60/1
0005	620058 57	PROTECTOR - 230/50/1
0005	620058 85	PROTECTOR - 230/60/1
0008	620167 54	CAPACITOR - 35 MFD/450V
0009	620057 47	RELAY - 230/50
0009	620057 54	RELAY - 230/60
0010	620167 00	START CAPACITOR 88-108MFD/330V
0012	650109 00	VALVE BODY
0013	670012 00	VALVE CORE
0014	650106 00	CAP
0015	620495 00	WATER COOLED CONDENSER
0018	733204 00	WATER INLET FITTING
0019	400031 01	WASHER
0020	620111 00	WATER REGUL. VALVE
0021	733173 01	FITTING
0022	281900 03	TUBE 18X12
0024	733174 00	FITTING
0025	400076 00	NUT
0026	400031 00	WASHER
0027	670006 01	FILTER
0028	784450 03R	SUCTION LINE/ACCUMULATOR

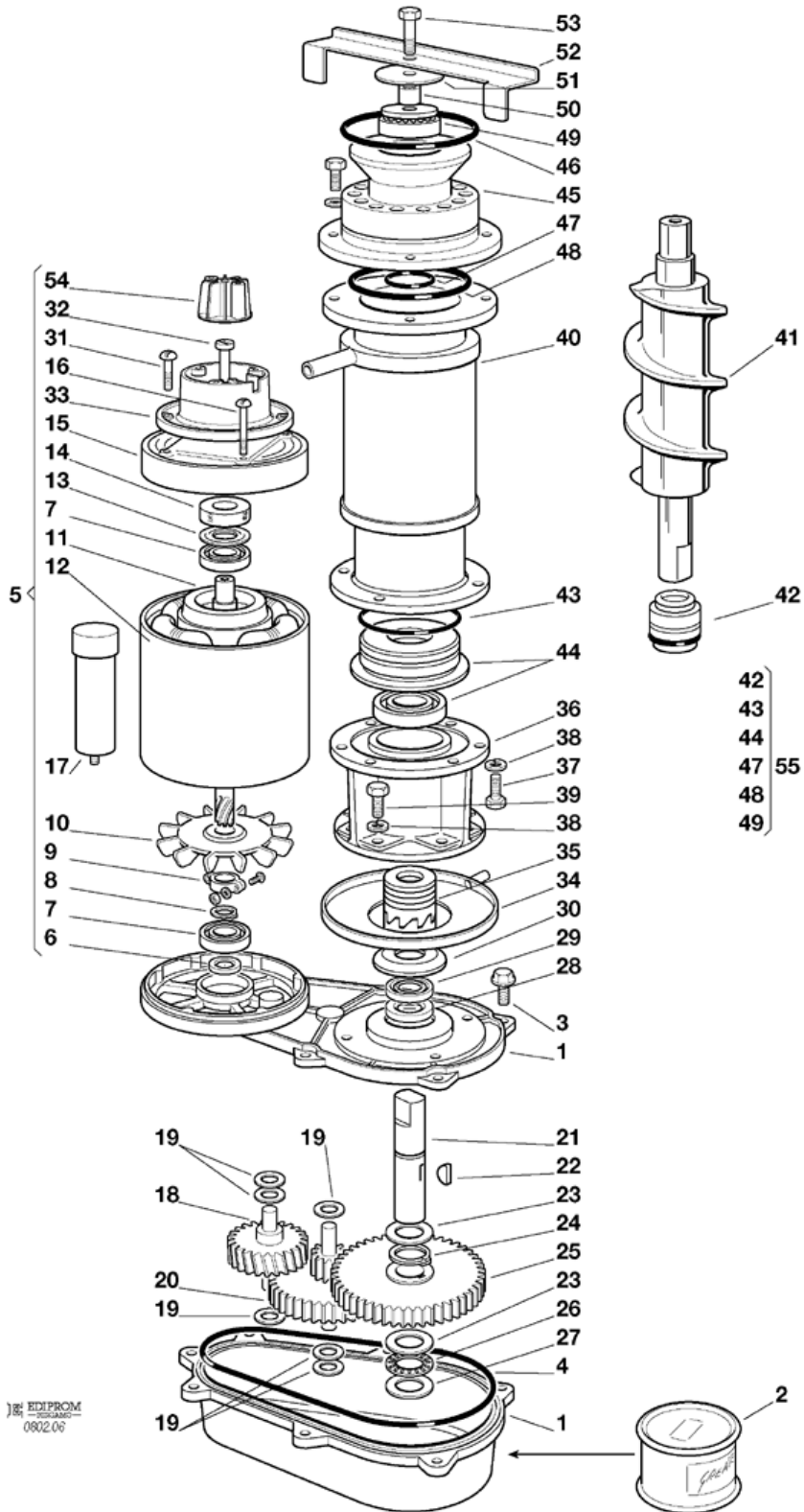
4 - WATER SYSTEM AND INSULATIONS -



4 - WATER SYSTEM AND INSULATIONS -

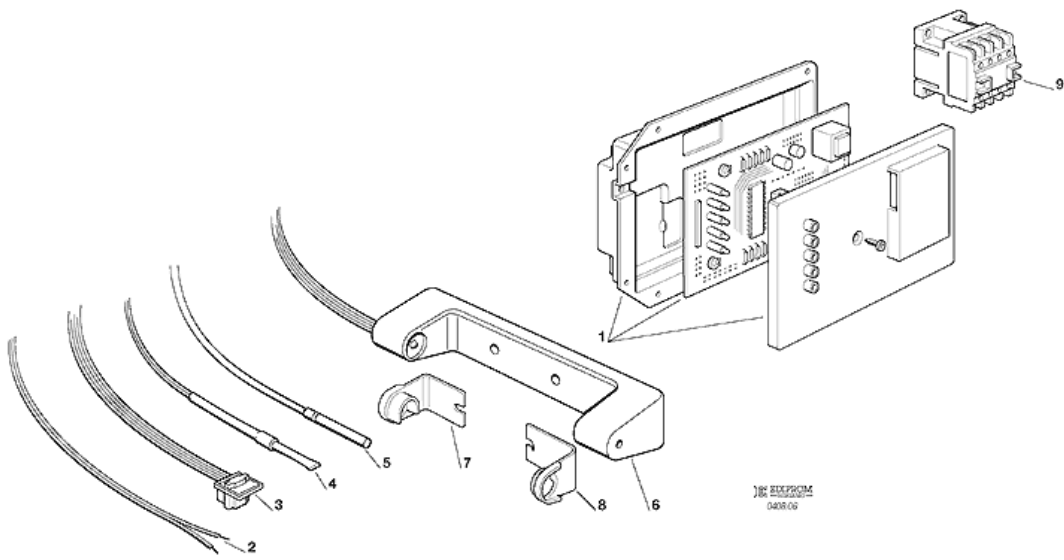
POSITION	CODE	DESCRIPTION
0001	651206 01	WATER FITTING - 1/4"-1/8 BSPT
0002	651224 04	WATER FITTING
0003	650104 00	FILTER
0003	660956 00	PLASTIC WATER INLET FITTING
0004	660363 00	COVER
0005	724215 06	WATER LEVEL METAL PIN
0006	660957 00	PLASTIC NOZZLE
0007	660585 00	FLOAT VALVE
0009	640100 00	O RING
0010	660352 00	INSULATION
0010	660459 00	WATER RESERVOIR ONLY
0011	281822 00	PLASTIC HOSE
0012	281832 00	TUBE
0013	660224 00	TEE TUBE
0014	660535 00	PLASTIC NUT
0015	610171 02	TUBE
0016	794215 08R	GEAR REDUCER ASSY
0017	794309 00R	FREEZER ASSY
0018	660553 00	GEAR MOTOR COVER
0019	060551 06	KIT INSULATION, FREEZER
0020	060551 06	KIT INSULATION, FREEZER
0021	650919 01	ICE BREAKER BOTTOM INSULATION
0022	650919 02	ICE BREAKER TOP INSULATION
0023	660896 00	ICE SPOUT - BOTTOM
0024	660897 00	ICE SPOUT - TOP
0025	650919 00	ICE SPOUT INSULATION
0026	724180 02	TIE ROAD
0027	430083 00	NUT
0028	660933 03	ICE CHUTE

5 - FREEZER AND GEAR REDUCER ASSY -



EDIPROM
-SICAM-
0802.06

6 - P.C. BOARD AND SENSORS ASSY -



6 - P.C. BOARD AND SENSORS ASSY -

POSITION	CODE	DESCRIPTION
0001	620462 15	PC BOARD
0002	620519 02	WATER LEVEL SENSOR
0003	620404 03	HALL SENSOR
0004	620519 00	CONDENSER SENSOR
0005	620519 01	EVAPORATOR SENSOR
0006	650674 01	ICE LEVEL CTL.
0007	660720 00	PLASTIC COVER
0008	660720 01	PLASTIC COVER
0009	630148 00	CONTACTOR